

Operating manual: LDH-AAA-FCA-TF

Laser distance sensor



II 2(1)G

IECEx BVS 14.0108X



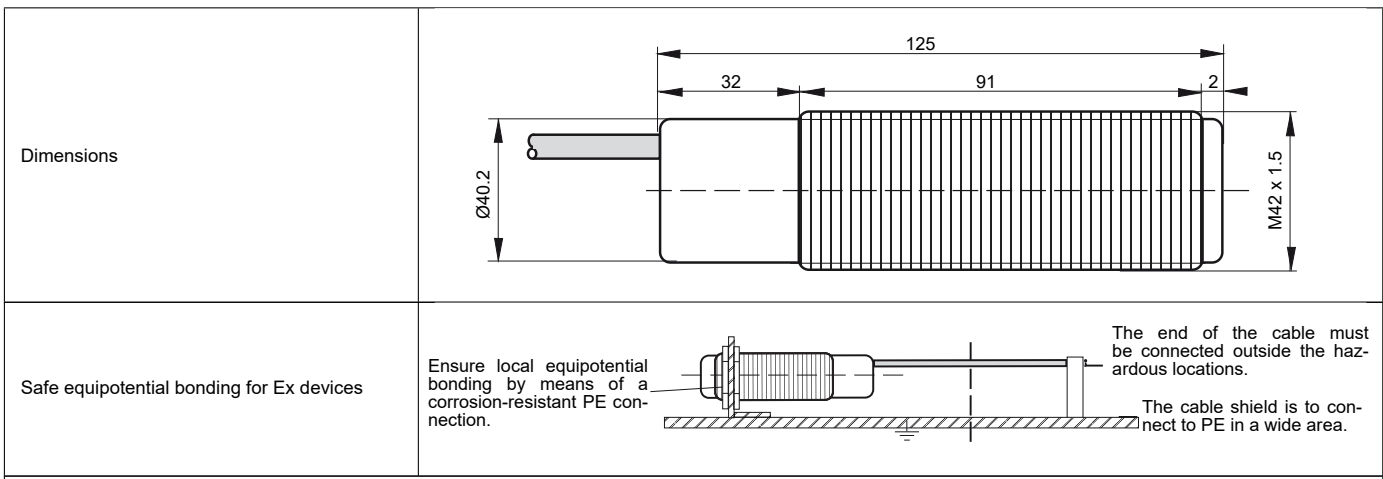
Ex db [op is Ga] IIA T3 Gb

- ATEX and IECEx certified
- For use in Ex Zones (0), 1, 2
- Measurement range analog output: 0.05m to 30m
- Measurement range digital output: 0.05m to 30m
- High measurement accuracy
- Analog output signal 4mA to 20mA and serial data interface RS-485
- Easy alignment through visible red light laser
- Stainless steel 1.4404 housing

Technical Data	Type	LDH-AAA-FCA-TF				
Gas Ex protection designation		II 2(1)G Ex db [op is Ga] IIA T3 Gb				
For use in Ex Zones		Zones (0), 1, 2				
Measurement methods		Time-of-flight measuring				
Light Source		Laser Class 2, in accordance with EN 60825-1				
Maximum optical radiant intensity		<=1mW, wave length: 650nm				
Response time		minimum 0.1s, maximum 4.5s				
Pollution degree		4				
Device designation according to EN 60947-5-1/2		T3A42SS1				
Supply voltage, Ue		+24VDC ±10%				
Absolute maximum supply voltage, Um		30VDC				
Current consumption		70mA				
Maximum power dissipation		2.4W				
Typical measuring accuracy		±3.0 mm @ 2σ				
Typical measuring repeatability		±0.8 mm @ 2σ				
Analog current output, type		PNP, 4mA to 20mA, short circuit protected				
Analog current outputs, operating range		0.05m to 30m (0.05m = 4mA, 30m = 20mA)				
Analog current output, error indication		3.5mA: Measurement invalid 20.5mA: Object out of measurement range				
Analog current output, resolution		1mm = 0,0005mA				
Analog current output, load range		500R <= R _L <= 1000R				
Serial interface, type		RS 485, Format: 9600 baud, 8 data bits, 1 stop bit, Parity none, Handshaking none				
Serial interface, range		0.05m to 30m				
Serial interface, resolution		1mm				
Input type		START Input, PNP compatible				
Input function		"H" +24VDC: Starts measurement, "L" 0V: Stops measurement				
Power up delay time		500ms				
Housing		M42, Material: Stainless steel 1.4404				
Enclosure rating		IP67				
Ambient working temperature range, T _{amb}		-10°C up to 35°C ¹ / -10°C up to +50°C ²				
Storage temperature range		-20°C up to +70°C				
Relative humidity		15% ... 80%				
Laser lifetime		Appr. 30'000h, typically, at a housing temperature of +20°C. During continuous operation. Urgent recommendation: Apply 0V to the START-input, when no measurement is necessary				
Connection cable		Length: 5m, PUR jacket, 6+PE x 0.5mm ² , shielded, non-halogen, leads numbering marked, good chemical resistance, drag chain suitable ³				
Accessories		<table border="0" style="width: 100%;"> <tr> <td style="width: 50%; text-align: center;">Included</td> <td style="width: 50%; text-align: center;">Optional</td> </tr> <tr> <td style="text-align: center;">• 2x nuts M42</td> <td></td> </tr> </table>	Included	Optional	• 2x nuts M42	
Included	Optional					
• 2x nuts M42						
Notes		¹ For a longer life time of the laser diode, the housing temperature of 35°C must not be exceeded. ² For housing temperature larger than 35°C (i.e. direct sun exposure) use the sensor in pulse mode. ³ The maximum cable length of L _{max} = 100m from sensor to control cabinet must not be exceeded.				
EX related markings		<table border="0" style="width: 100%;"> <tr> <td style="width: 50%;"> CE 1258 Typ: LDH-AAA-FCA-TF Gas: II 2(1)G Ex db [op is Ga] IIA T3 Gb ATEX: IECEx: Tamb: Manufacturing date: </td> <td style="width: 50%;"> Manufacturer with Address Electrical data according to table BVS 10 ATEX E 130 X IECEx BVS 14.0108X -10°C up to 35°C Number 5 to 8 of the Serial Number (Year / CW) </td> </tr> </table>	CE 1258 Typ: LDH-AAA-FCA-TF Gas: II 2(1)G Ex db [op is Ga] IIA T3 Gb ATEX: IECEx: Tamb: Manufacturing date:	Manufacturer with Address Electrical data according to table BVS 10 ATEX E 130 X IECEx BVS 14.0108X -10°C up to 35°C Number 5 to 8 of the Serial Number (Year / CW)		
CE 1258 Typ: LDH-AAA-FCA-TF Gas: II 2(1)G Ex db [op is Ga] IIA T3 Gb ATEX: IECEx: Tamb: Manufacturing date:	Manufacturer with Address Electrical data according to table BVS 10 ATEX E 130 X IECEx BVS 14.0108X -10°C up to 35°C Number 5 to 8 of the Serial Number (Year / CW)					

LDH-AAA-FCA-TF_e6/2024-04-15/MP

Electrical connection <table border="0" style="width: 100%;"> <tr> <th style="text-align: left;">Wire number</th> <th style="text-align: left;">Function</th> </tr> <tr> <td>1</td> <td>+24VDC ±10%</td> </tr> <tr> <td>2</td> <td>0V</td> </tr> <tr> <td>3</td> <td>START-Input (+24VDC active)</td> </tr> <tr> <td>4</td> <td>Current output: PNP, 4mA to 20mA</td> </tr> <tr> <td>5</td> <td>RS 485 - Y</td> </tr> <tr> <td>6</td> <td>RS 485 - Z</td> </tr> <tr> <td>yellow-green</td> <td>PE</td> </tr> <tr> <td>white</td> <td>Cable shield</td> </tr> </table>	Wire number	Function	1	+24VDC ±10%	2	0V	3	START-Input (+24VDC active)	4	Current output: PNP, 4mA to 20mA	5	RS 485 - Y	6	RS 485 - Z	yellow-green	PE	white	Cable shield	<div style="border: 1px solid black; padding: 5px;"> <p style="margin: 0;">LDH-AAA-FCA-TF</p> </div>
Wire number	Function																		
1	+24VDC ±10%																		
2	0V																		
3	START-Input (+24VDC active)																		
4	Current output: PNP, 4mA to 20mA																		
5	RS 485 - Y																		
6	RS 485 - Z																		
yellow-green	PE																		
white	Cable shield																		



Operating Manual / EC-/EU-declaration of conformity

Intended Use

The distance sensor type LDH-AAA-FCA-TF is designed to measure distances within potentially explosive atmospheres. It must be installed and operated in accordance to this operating manual.

Installation prescriptions for Ex hazardous locations

It is necessary to take into consideration the valid international and national rules and regulations (EN 60079-14). The local potential equalization must be connected with the PA-connector using a reliable and noncorrosive connection. The PE/PA connector is permanently attached to the enclosure. The absolute maximum supply voltage $U_m = 30VDC$ must not be exceeded. No external parts are allowed for focusing or reshaping of the emitted laser beam, except for original parts. The cable must be protected against damaging. The end of the cable must either be installed within a certificated Ex housing or must be installed outside of any Ex area.

Type LDH-AAA-FCA-TF: Allowed to be installed and operated within Ex zones 1 and 2. The limited optical radiation can operate into hazardous locations zones 0.

General Installation Prescriptions

Do not exceed the maximum ratings. The electrical connections must be exactly as shown in the connection diagram. The cable shield must be connected short. The cable shield must be connected to the protection earth, large-surfaced. Connection cables must not be installed parallel to high voltage cables. The cable shield is to connect at PE.

Function

The sensor uses the time of flight measurement principle. The travel time of an emitted pulse of light is measured, whereby the pulse travels from the sensor to the measured object and back. The relation between distance and travel time is given by the speed of light. This measurement principle requires the measured object to reflect a part of the incident radiation towards the source. The acquired measurement result is available at the analog current output and the RS 485 interface in parallel.

Analog current output

- Output current 4mA to 20mA: Valid measurement result
- Output current 3.5mA: No valid measurement could be achieved
- Output current 20.5mA: No object could be detected within range

Serial interface

The RS 485 serial interface presents the measurement results, in the range from 0.05m to 30m, in a digital format. The interface is configured to 9600, 8 data bits, 1 stop bit, no parity and no handshaking. Each result is presented as human readable ASCII string containing the measured distance in millimeters followed by carriage return and line feed characters (CR+LF).

START input

The measurement process is started by applying +24VDC at the START input. The device will stop to perform measurements if the START input is connected to 0V. For a longer lifetime of the laser, activate the sensor only when measurement is necessary.

Maintenance and durability

Urgent recommendation for longer lifetime of the laser: When no measurement is being made, disable the laser, by switching the START-Input to 0V. The sensor is maintenance-free. The measurement window must be cleaned carefully if soiled. Never use aggressive cleaning agents. Equipment must only be repaired or serviced by the manufacturer. The laser flashes in continuous measuring mode.

Safety regulations for Laser devices class 2

Throughout the installation, the going into operation and the application, it is necessary to take into consideration the valid rule EN 60825-1. Do not stare into the beam!

General safety informations

The equipment is not used for the prevention of accidents. In worst case of disturbance, the output can show any state. The mounting, wiring, application and maintenance must be realized in accordance with the relevant rules and prescriptions. It is necessary to take into consideration the relevant international and national regulations.

General notes, disposal

We reserve the right to modify our equipment. Our equipment is designed such way, that it has the least possible adverse effect on the environment. It neither emit or contain any damaging or silicized substances and use a minimum of energy and resources. No longer usable or irreparable units must be disposed of in accordance with the local waste disposal regulations.

EU-Declaration of Conformity

The product meets the requirements of the following standards and directives: IEC 60079-0:2017, EN IEC 60079-0:2018, IEC/EN 60079-1:2014, IEC/EN 60079-28:2015, EN 60529:2014, EN 60950-1:2006, EN 61000-4-2 to EN 61000-4-6, EN 61000-6-1/-2, EN 61000-6-4, ATEX directive 2014/34/EU, Machine directive 2006/42/EC, EMC directive 2014/30/EU, RoHS directive 2011/65/EU

ATEX/IECEx-Designation:

Gas: II 2(1)G Ex db [op is Ga] IIA T3 Gb
 ATEX EU-type examination certificate No.: BVS 10 ATEX E 130 X
 IECEx CoC No.: BVS 14.0108X
 Ex CB IECEx: DEKRA Testing and Certification GmbH, Carl-Beyling-Haus, Dinendahlstrasse 9, D-44809 Bochum.

ATEX certification of quality management system, type production of Ex devices, in accordance to the directive 2014/34/EU:

Certification No.: SEV 21 ATEX 4580, QAR No.: CH/SEV/QAR21.0009/01, CB: Eurofins Electric & Electronic Product Testing AG, Luppenstrasse 3, CH-8320 Fehraltorf CE 1258 Ident. Number: 1258

Pablo Ledergerber, Matrix Elektronik AG, is authorized to generation of documentation.

The conformity of the devices with all used standards, directives and EC-type examination certificates and the observation of the Quality Management System ISO 9001:2015, declares:

Ehrendingen, 15.4.2024

Pablo Ledergerber, Matrix Elektronik AG

LDH-AAA-FCA-TF_e6/2024-04-15/MP

Tippkemper-Matrix GmbH
 Meegerer Str. 43, D-51491 Overath
 Tel.: +49 2206 9566-0, Fax -19
 info@tippkemper-matrix.de

Matrix Elektronik AG (Manufacturer)
 Kirchweg 24, CH-5420 Ehrendingen
 Tel.: +41 56 20400-20, Fax -29
 info@matrix-elektronik.com